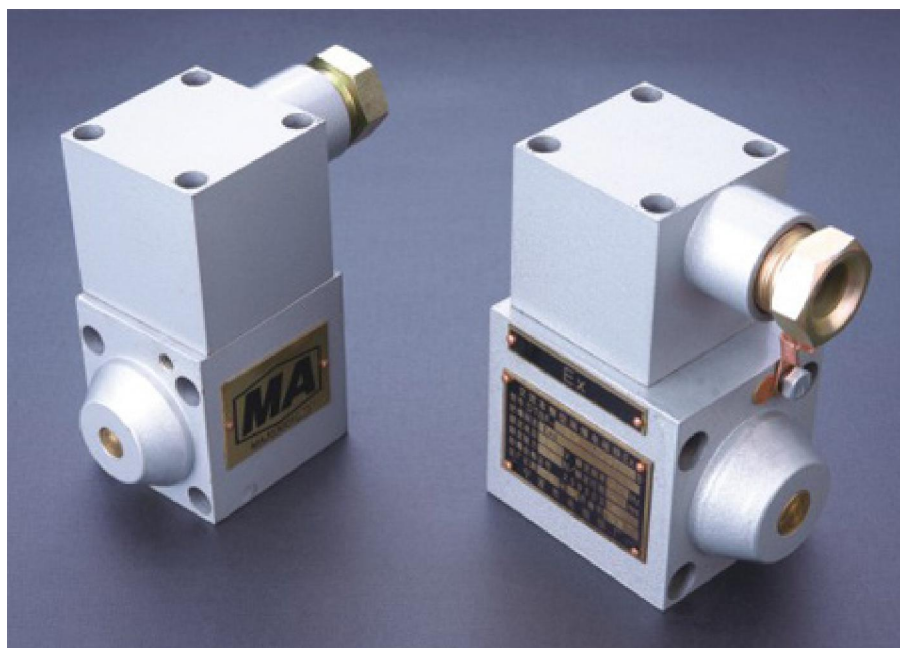


## DTBF 矿用隔爆阀用电磁铁 Mining Explosion-Proof Solenoids for Hydraulics



## 型号说明 Model description

DT 电磁铁 Solenoid  
 B 隔爆型 Explosion-Proof type  
 F 阀用 For valve application

## DTBF-X/XX

Z:直流型 DC Type  
 J:交流型 AC Type  
 B:交流本整型 Self-rectified  
 额定电压 Rated Voltage(V)  
 额定吸力 Rated Force(N)

## 功能说明 Function Instruction

本系列矿用隔爆阀用电磁铁, 适用于交流 50Hz、电压至 220V 和单相直流电源, 电压至 220V 的控制电路中, 可与 6、10 通径换向阀配套。

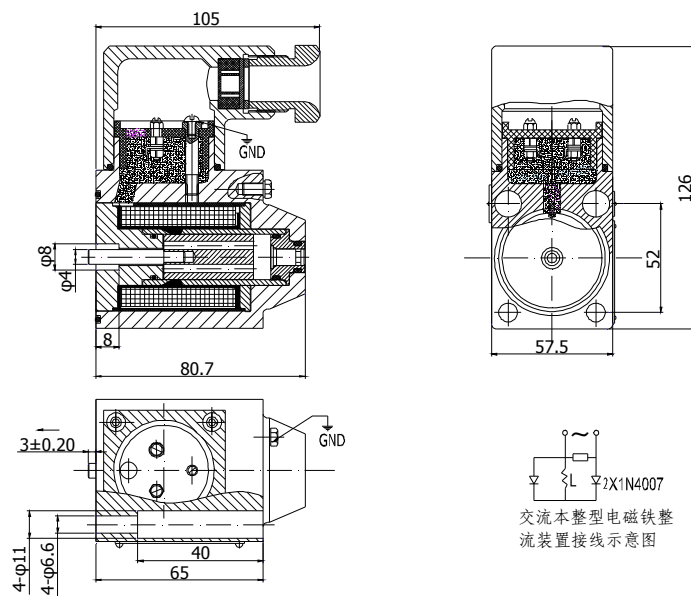
The mining explosion-proof solenoid used in this series is suitable for AC 50Hz, 220V and single-phase DC power supply, 220V control circuit, and it can be equipped with 6, 10-DN directional valves.

## 主要技术参数 Specifications

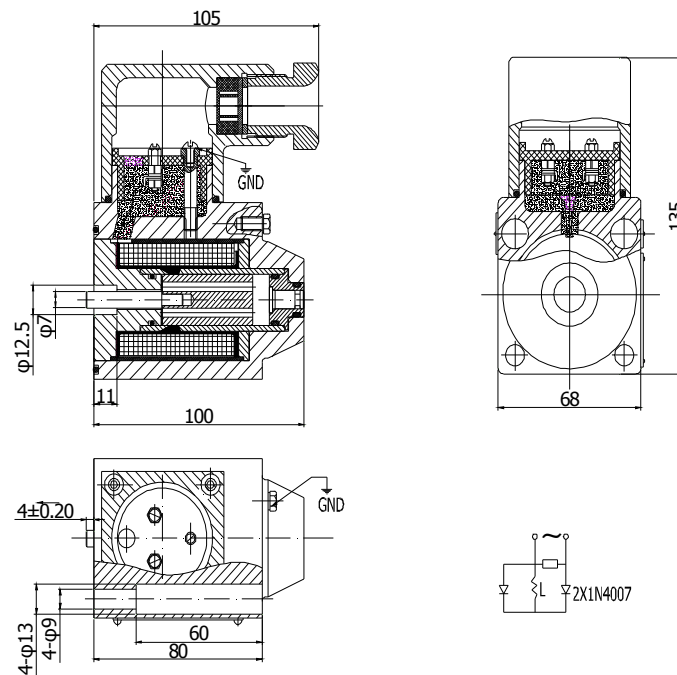
参数\型号 Parameters/type	额定电压 Rated	额定吸力 力 Rated	额定行程 Rated	全行程 Overall	承受油压 Rated	通电持续 率	最高操作频率 Operating
--------------------------	---------------	-----------------	---------------	----------------	---------------	-----------	---------------------

	voltage (V)	Force(N)	Stroke(mm)	Stroke(mm)	Operating Pressure(Mpa)	Operating Mode(%)	Frequency(T/h)
DTBF-39/24YZ	24	39	3	≥6.2	6.3	60	3000
DTBF-39/36YZ	36	39	3	≥6.2			
DTBF-39/127YB	127	39	3	≥6.2			
DTBF-39/220YB	220	39	3	≥6.2			
DTBF-69/24YZ	24	69	4	≥6.2			
DTBF-69/36YZ	36	69	4	≥6.2			
DTBF-69/127YB	127	69	4	≥6.2			
DTBF-69/220YB	220	69	4	≥6.2			

### 外形及安装尺寸 External Shape and Installing Dimension



DTBF-39



DTBF-69

使用注意事项:

1. 用 4 个 M6×30 内六角螺钉将电磁铁安装于相应的电磁阀上。
2. 用 S4 的内六方扳手将“接线盒”上的 4 个 M5×15 内六角螺钉取出。取下“接线盒”。
3. 旋出加“夹紧螺栓”分别取出“垫片”、“防尘垫”、“电缆密封圈”。并将“防尘垫”丢弃不用。
4. 将外径为 8mm 并符合 GB12972—1991《矿用橡套软电缆》、MT818—1999《煤矿用阻燃电缆》要求的三芯电缆（用户自备），按“电缆密封圈”、“垫片”、“夹紧螺栓”的顺序，依次套入电缆上。并由“夹紧螺栓”的旋入处穿入“接线盒”。剥去导线上的护套+将导线分别接于接线盒相应螺钉上。
5. 用 S4 的内六方扳手将“接线盒”上的 4 个 M5×15 的六角螺钉装入电磁铁的外壳上。
6. 用于小于 4mm<sup>2</sup> 并符合 GB12972—1991《矿用橡套软电缆》、MT818—1999《煤矿用阻燃电缆》要求的电缆（用户自备）将外壳上的“外接地”与使用设备的保护“接地”相连接。

样本说明:

- 如顾客有不同的需要，在电磁铁性能不变的情况下，电磁铁与阀体的连接尺寸、推杆伸出长度及工作电源电压可以根据要求调整。
- 特性曲线仅供参考。
- 对超出本样本要求应用场合的，请询问本厂。
- 主要性能参数均为试验条件下获得。本公司保留修改参数的权利。

Note:

1. Using four M6\*30 Hexagon screws to installed solenoid on corresponding solenoid

valves.

2. Using S4 hex spanner to remove the four M5\*15 Hexagon screws on 'terminal box' Remove the 'terminal box'.
3. Loosing 'clamp bolt' to take out 'pads', 'dust-proof pad', and 'cable seals'. And throw away 'dust mat'.
4. If using three-core cable (users provides) with 8mm external diameter that complies with the requirements of GB12972-1991 'Mining soft rubber-sheathed cable' and MT818-1999 'Mine flame-retardant cable', 'cable rings', 'gaskets' and 'clamping bolts' shall be put on the cable following the sequence as listed. the cable goes into 'terminal box' at the rotation spot of 'Clamp bolts'. Striping the socket off the cable, and connect to the corresponding screws on the terminal box respectively.
5. Using S4 hex spanner to fix the four M5\*15 Hexagon screws in the shell of the solenoid.
6. If using the cable (user provides) with external diameter less than 4mm<sup>2</sup> that comply with the requirements of GB12972-1991 'Mining soft rubber-sheathed cable' and MT818-1999 'Mine flame-retardant cable'. The external grounding lines shall be connected with the protection 'grounding' lines of equipment used.

Explanation of Sample:

1. If client have special requirements, we can adjust the connect dimension, the extended length of push pin, and the supply voltage between solenoids and valve body.
2. Characteristic curve for reference only.
3. If the application is beyond the catalogue, please contact with us.
4. The main performance parameter is obtained in the conditions of lab. Finally explanation and changing of the parameters by Tonly.